

# VISIBLE LED

## 1.ELEMENT APPEARANCE 防靜電產品流程中請使用防靜電配備

Model No.	Material	Lighting Color	Resin Color
RT4-45704YL-12-T	AlGaInP	Yellow	Water Clear

## 2.ELECTRO-OPTICAL CHARACTERISTICS AT Ta=25°C

Characteristic	Symbol	Condition	Min.	Typ.	Max.	Unit
Luminous intensity	Iv	IF=20mA	2.9		4.1	lm
Forward voltage	VF	IF=20mA	1.9	2.1	2.3	V
Reverse current	IR	VR=5V			10	μA
Dominant wavelength	λd	IF=20mA	585		595	nm
Spectral line half width	Δλ	IF=20mA		18		nm
Viewing angle	2θ 1/2	IF=20mA		140		deg.

※亮度誤差值±15%、VF 誤差值±0.05V、波長誤差值±0.5nm

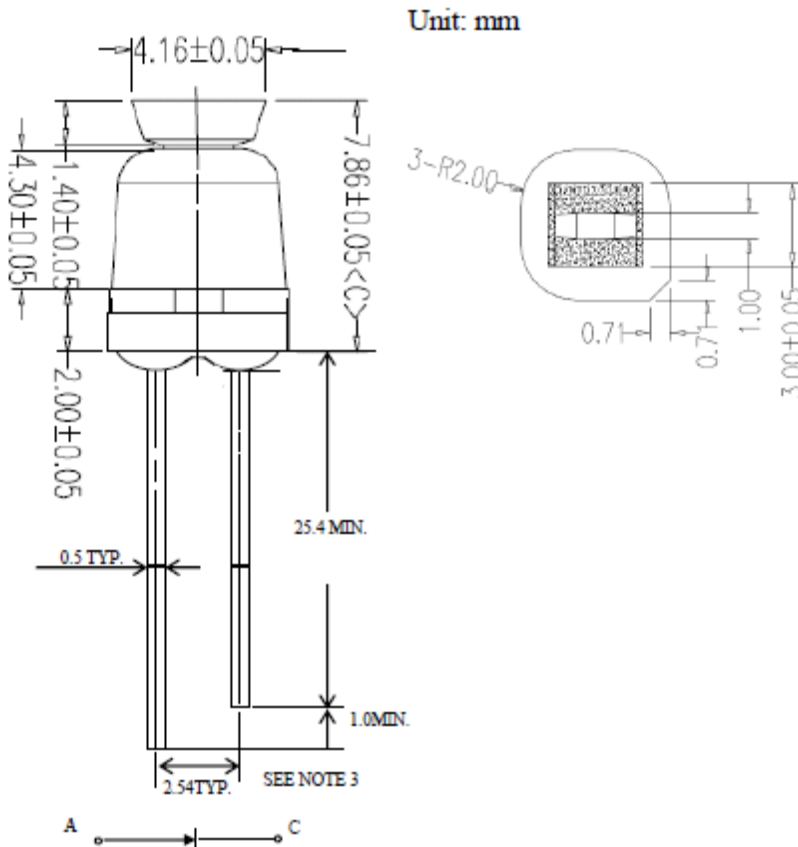
## 3.DIMENSIONS UNIT :m/m

Tolerance is ±0.25mm unless otherwise specified.

1.CATHODE  
2.ANODE

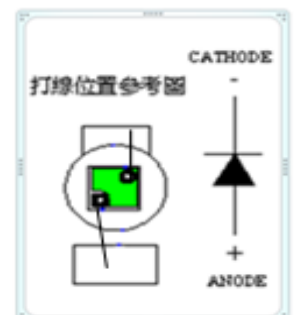


## Package Dimensions

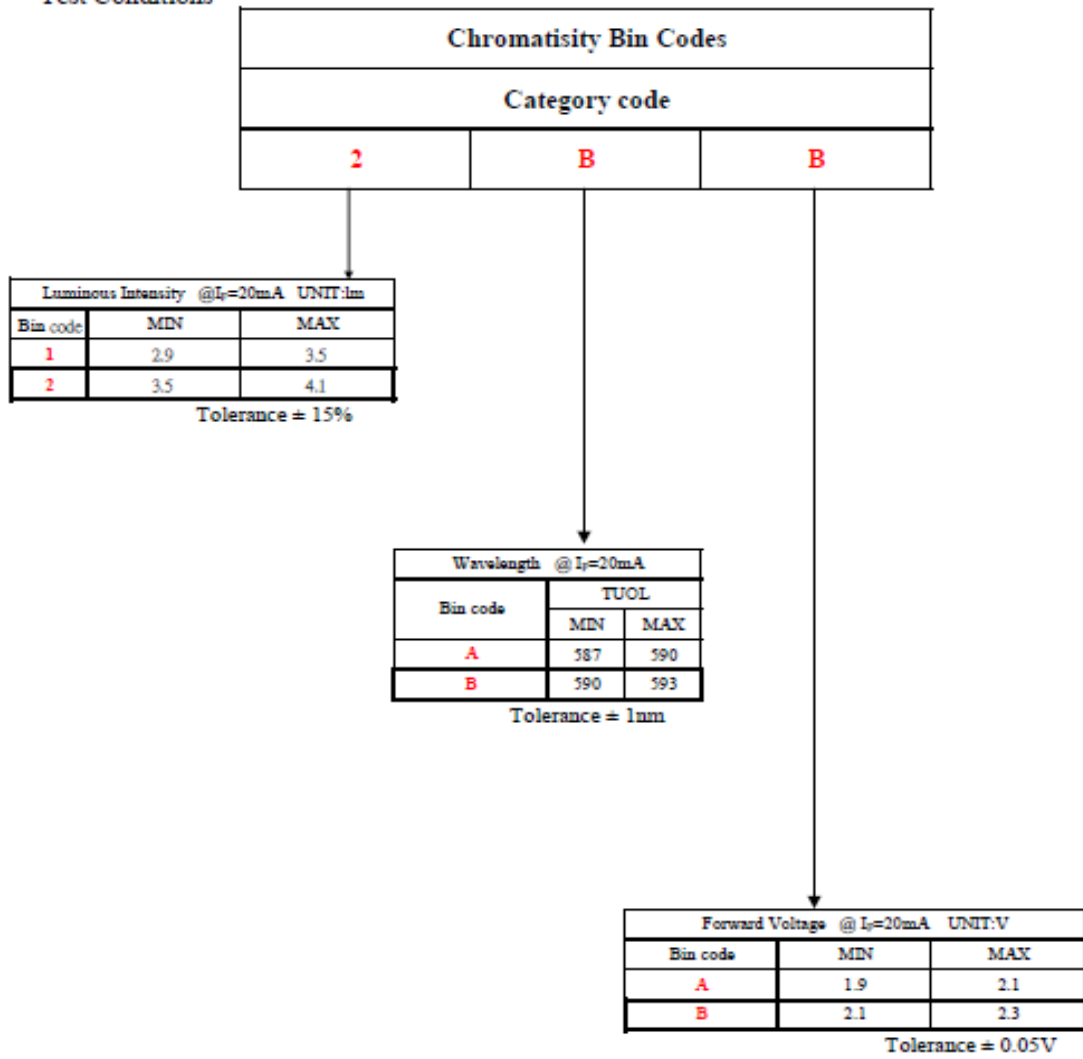


Notes :

1. Tolerance is ±0.25 mm (.010") unless otherwise noted.
2. Protruded resin under flange is 1.5 mm (.059") max.
3. Lead spacing is measured where the leads emerge from the package.



Test Conditions



項目	IV (IF=20mA)
BIN	( lm)
1	2.9 – 3.5
2	3.5 - 4.1
3	4.1 – 5.0

※亮度誤差値 $\pm 15\%$