

VISIBLE LED

1.ELEMENT APPEARANCE 防靜電產品流程中請使用防靜電配備

Model No.	Material	Lighting Color	Resin Color
RT4-25704HR-12-T	AlGaInP	Red	Water Clear

2.ELECTRO-OPTICAL CHARACTERISTICS AT Ta=25°C

Characteristic	Symbol	Condition	Min.	Typ.	Max.	Unit
Luminous intensity	Iv	IF=20mA	3.4		6.1	lm
Forward voltage	VF	IF=20mA	1.9	2.1	2.3	V
Reverse current	IR	VR=5V			10	μA
Dominant wavelength	λd	IF=20mA	610		620	nm
Spectral line half width	Δλ	IF=20mA		18		nm
Viewing angle	2θ 1/2	IF=20mA		140		deg.

※亮度誤差值±15%、VF 誤差值±0.05V、波長誤差值±0.5nm

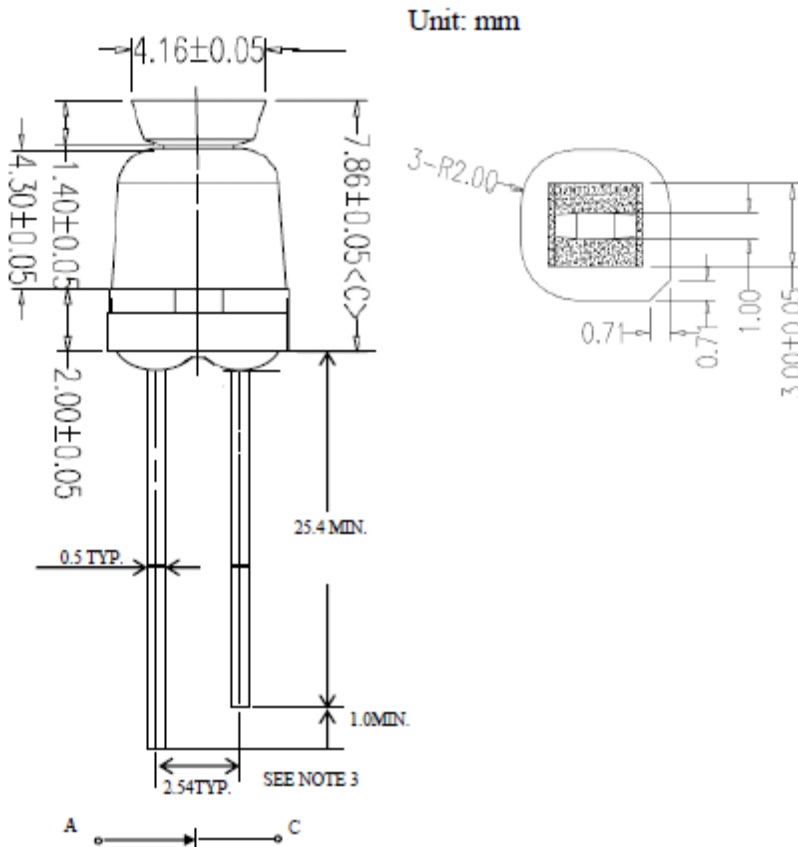
3.DIMENSIONS UNIT :m/m

Tolerance is ±0.25mm unless otherwise specified.

1.CATHODE
2.ANODE

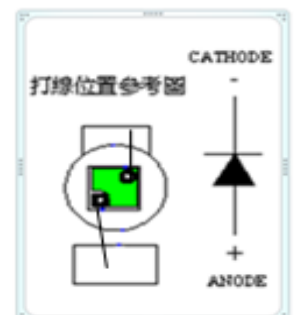


Package Dimensions



Notes :

1. Tolerance is ±0.25 mm (.010") unless otherwise noted.
2. Protruded resin under flange is 1.5 mm (.059") max.
3. Lead spacing is measured where the leads emerge from the package.



Chromaticity Bin Codes		
Category code		
2	B	B

Luminous Intensity @ I _f =20mA UNIT:lm		
Bin code	MDN	MAX
1	3.4	4.0
2	4.0	4.6
3	4.6	5.3
4	5.3	6.1

Tolerance = 15%

Wavelength @ I _f =20mA		
Bin code	TUOL	
	MIN	MAX
A	611	614
B	614	617

Tolerance = 1nm

Forward Voltage @ I _f =20mA UNIT:V		
Bin code	MIN	MAX
A	1.9	2.1
B	2.1	2.3

Tolerance = 0.05V

項目	IV (IF=20mA)
BIN	(lm)
1	3.4 - 4.0
2	4.0 - 4.6
3	4.6 - 5.3
4	5.3 - 6.1
5	

※亮度誤差値±15%